

Reg.No. 

--	--	--	--	--	--	--	--	--	--

**SIDDHARTH INSTITUTE OF ENGINEERING & TECHNOLOGY:: PUTTUR  
(AUTONOMOUS)**

**B.Tech II Year I Semester Supplementary Examinations Feb-2021**

**MACHINE DRAWING**

(Mechanical Engineering)

Time: 3 hours

Max. Marks: 60

**Section – I**

(Answer any two questions, 2 x 4 = 8)

1. Sketch the ACME thread profiles for a 30mm pitch.
2. Sketch a feather key with proportions.
3. Sketch the Aligned and uni – directional system of dimensioning.

**Section – II**

(Answer any two questions, 2 x 8 = 16)

4. Sketch a cotter joint with proportions.
5. Draw the Flange coupling to connect to shafts of 20 mm diameter?
6. Draw the eye foundation bolts of 20mm diameter?

**Section – III**

(Compulsory Questions, 1 x 36 = 36 Marks)

7. Draw the part drawings of Lathe Single Tool Post shown in figure 1.

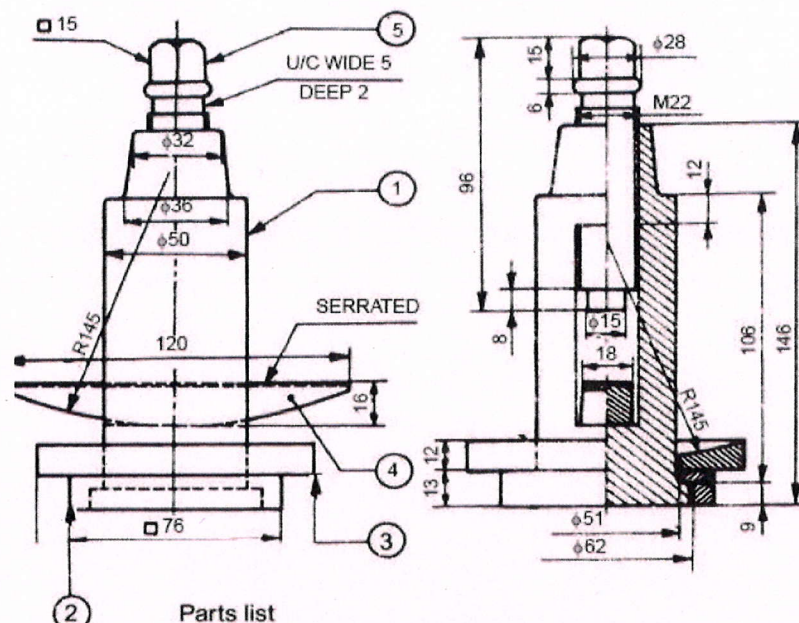


Figure 1: Lathe Single Tool post